



**Glastender** *Home*  
Commercial-grade cocktail stations



Product Directory & Retail Price List  
Effective December 2011

# Cocktail Stations

## Features

Glastender home cocktail stations are manufactured to the same level of detail as the commercial equipment we have been manufacturing for over 40 years. Attractive, intuitive design makes our cocktail stations a pleasure to use and easy to maintain.



The easy-to-clean sink is stainless steel and seamlessly welded into the work surface. Drain fitting is included.



Condiment cups are conveniently located at the rear of the cocktail ice bin. A hinged stainless steel sanitary cover is included.



Welded drainboard glass storage area consisting of a stamped pan and perforated insert provides air circulation for drying glassware.



The bottle rail and cap catcher have a chamfered top rail for added strength and an attractive appearance.



The lighted bottle rail, available in 6" increments from 24" to 48" long, adds a special highlight to your cocktail area.



Foamed-in-place insulation and a PVC plastic breaker strip around the ice bin liners prevent thermal transfer from outside the ice bin so your ice lasts longer.

## Retail Pricing

### Drop-In Cocktail Station-less faucet

MODEL NO.	DESCRIPTION	SHIP WGT	MSRP
DCS30	30" wide	75#	\$1,328
DCS42	42" wide	85#	\$1,597
03000457	Optional hot/ cold water faucet	5#	\$257

The DCS30 (30" w) and DCS42 (42" w) both include a main ice bin with sliding stainless steel cover, three condiment cups, bottle well for iced bottle storage, and sink. Hot and cold water faucet is optional.

The DCS42 (shown) also includes a seamlessly welded drainboard glass storage area.



DCS42  
Shown with optional faucet

### Built-In Cocktail Station with cold water faucet

MODEL NO.	DESCRIPTION	SHIP WGT	MSRP
BCS30	30" wide	140#	\$2,267
BCS42	42" wide	160#	\$2,670

The BCS30 (30" w) and BCS42 (42" w) include a cocktail ice bin with sliding stainless steel cover, three condiment cups, bottle well for iced bottle storage, sink with cold water faucet, cutting board, bottle rail, towel bar, and bottle opener and cap catcher.

The BCS42 (shown) also includes a seamlessly welded drainboard glass storage area.



BCS42

### Cocktail Cart

MODEL NO.	DESCRIPTION	SHIP WGT	MSRP
CC18X30	Cocktail cart	140#	\$1,999
USC	Upgrade to stainless steel casters		\$195

Includes a main ice bin with sliding stainless steel cover, three condiment cups, bottle well for iced bottle storage, flip-up work board, handle/towel bar, bottle rail, bottle opener and cap catcher, bottom storage shelf, and heavy-duty casters.



CC18X30

# Stainless Steel Countertops

## Features



Glastender Home stainless steel countertops are manufactured to your dimensional specifications in one piece up to 114" in length. Available in four finishes: brushed stainless, highlighted jewel, patterned jewel, and feathered jewel.

Download our customer order form at [www.glastenderhome.com](http://www.glastenderhome.com) to specify your requirements and receive a factory quote.

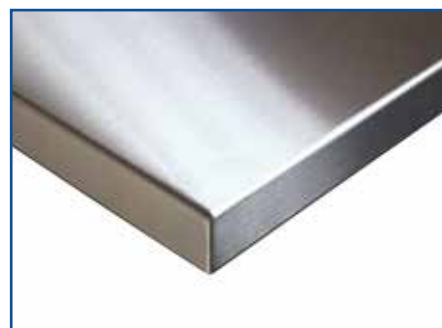


Two sizes of sinks are available seamlessly welded into the work surface:

- The BS12 is a 9-1/4" x 11-1/2" x 6" deep 20 gauge drawn bowl.
- The BSL (shown above) is an 11" x 14" x 10" deep 16 gauge fabricated bowl.

Both sinks include a 1-1/2" IPS drain fitting.

Both sinks include a 1-1/2" IPS drain fitting.



Hemmed and welded construction eliminates any sharp edges.



A full stainless steel belly pan and honeycomb core provide incredible rigidity.

### Stainless Steel Finishes



Brushed Finish



Highlighted Jewel Finish



Patterned Jewel Finish



Feathered Jewel Finish



68-1/2" x 25-1/4" x 1-1/2" Stainless steel countertop with DB18, IB6, CB12, BS12 and 03000457

## Stainless Steel Countertops

Finished top cocktail stations are configured specifically to your needs. The height is 1-1/2", the depth is 25-1/4", and the overall length is per your request up to 114".

To price your finished top, start with the base price and add the 1" increment price based on the overall length of top required.

The standard finish is brushed stainless steel. If you prefer one of the optional jeweled finishes, then add the 1" increment jewelry price based on the overall length of top required.

Lastly, review the drainboard, iced beverage bin, cocktail ice bin, and bar sink configuration options and add the price for any configurable options required in your top. See the specification sheet for more configuration details.

### Finished Top Cocktail Station

MODEL NO.	DESCRIPTION	MSRP
FT	Base price for finished top	\$190
1" Increment	Cost per 1"	\$10
Jeweling	Cost per 1"	\$4

### Drainboard Glass Storage Areas

Standard with no drain. Optional 1-1/2" IPS drain available. Specify if required when ordering.

MODEL NO.	DESCRIPTION	MSRP
DB12	12" wide	\$396
DB18	18" wide	\$450
DB24	24" wide	\$504
DB30	30" wide	\$558

### Iced Beverage Bin (Bottle Well)

MODEL NO.	DESCRIPTION	MSRP
IB6	6" wide	\$496
IB12	12" wide	\$603
IB18	18" wide	\$710
IB24	24" wide	\$817

### Cocktail Ice Bin

MODEL NO.	DESCRIPTION	MSRP
CB12	12" wide	\$765
CB18	18" wide	\$926
CB24	24" wide	\$1,087

### Bar Sink

No faucet included. Standard faucet hole pattern is two holes on 4" centers. If alternate hole pattern is required specify when ordering.

MODEL NO.	DESCRIPTION	MSRP
BS12	9-1/4" x 11-1/2" x 6" deep	\$396
BSL	11" x 14" x 10" deep	\$696
03000457	Optional hot/cold water faucet	\$257

# Stainless Steel Door Inserts

## Features & Retail Pricing



Finish off your cocktail station island with stainless steel door inserts designed to match the look of Glastender Home's 42" and 30" built-in cocktail stations. Constructed entirely of stainless steel, Glastender's door inserts easily install into your framed opening.

MODEL NO.	DESCRIPTION	SHIP WGT	MSRP
BDI30	30" wide	32#	\$635
BDI42	42" wide	36#	\$782



The door handles match the look of the built-in cocktail station towel bar.



Two Blum® self-closing cabinet hinges included with each door.



The doors are inset slightly from the frame to help direct rain water away.



The frame easily inserts into your framed opening. (Viewed from inside)



The frame has a stepped sill to help prevent rain water from getting inside.



The frame protrudes 3/4" to provide a clean edge for finish material.

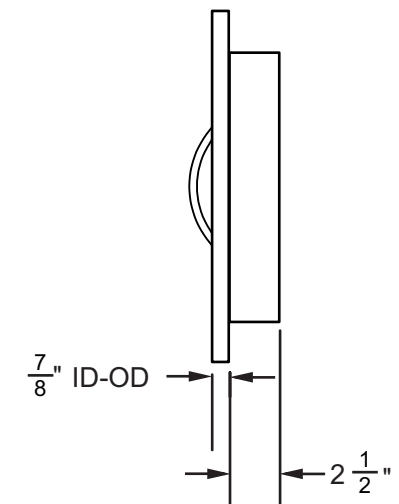
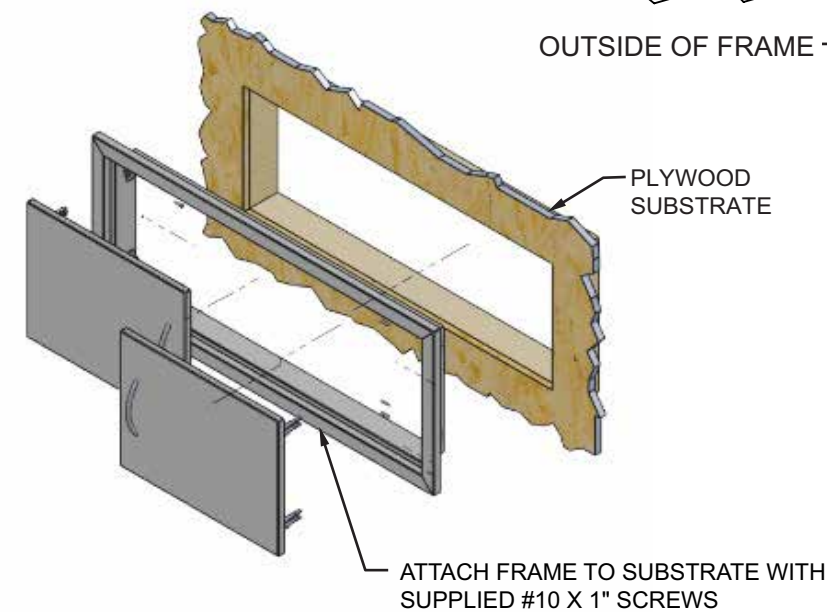
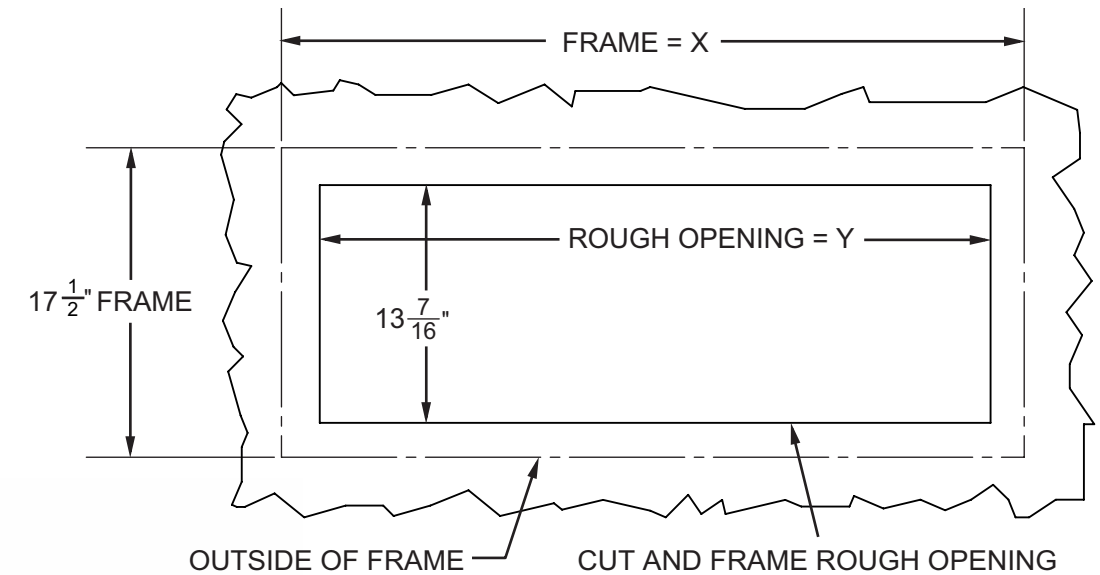


Hemmed and welded construction eliminates any sharp edges.



A honeycomb core provides incredible rigidity.

**Models** BDI30, X= 30" Frame, Y= 25-15/16" Rough opening  
BDI42, X= 42" Frame, Y= 37-15/16" Rough opening



### Lighted Bottle Rails

On/Off switch and power cord may be located left or right. Specify with L or R suffix in model number when ordering.

MODEL NO.	DESCRIPTION	SHIP WGT	MSRP
LBR24L or R	.....24" wide	..... 18#	..... \$356
LBR30L or R	.....30" wide	..... 20#	..... \$376
LBR36L or R	.....36" wide	..... 22#	..... \$396
LBR42L or R	.....42" wide	..... 24#	..... \$416
LBR48L or R	.....48" wide	..... 26#	..... \$436

Lighted bottle rails have a translucent acrylic top that allows the long-lasting, energy efficient LED lights to illuminate bottles. Available in 6" incremental widths from 24" up to 48".



LBR42L



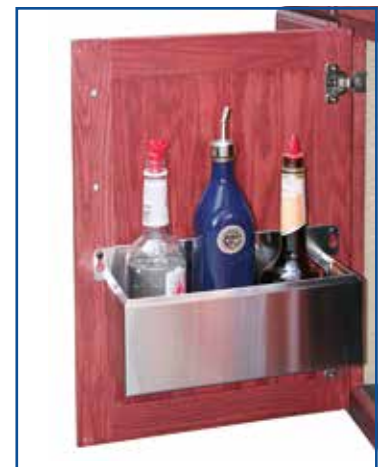
FBR12

### Front-Mounted Stainless Bottle Rails

MODEL NO.	DESCRIPTION	SHIP WGT	MSRP
FBR12	.....12" wide	..... 10#	..... \$67
FBR18	.....18" wide	..... 12#	..... \$74
FBR24	.....24" wide	..... 14#	..... \$81
FBR30	.....30" wide	..... 16#	..... \$88
FBR36	.....36" wide	..... 18#	..... \$95
FBR42	.....42" wide	..... 20#	..... \$102



DBR13



### Door-Mounted Stainless Bottle Rails

MODEL NO.	DESCRIPTION	SHIP WGT	MSRP
DBR7	.....7" wide	..... 9#	..... \$63
DBR10	.....10" wide	..... 10#	..... \$67
DBR13	.....13" wide	..... 11#	..... \$71
DBR16	.....16" wide	..... 12#	..... \$75
DBR19	.....19" wide	..... 13#	..... \$79

Both the front mounted and door mounted models have a unique chamfered top edge that adds strength and visual appeal. A perforated bottom prevents water build-up in outdoor applications. The door mounted models have extended side tabs for mounting to the frame on the inside of a typical panel style cabinet door. Available in custom widths up to 42".

## **PLACE ORDERS:**

Dealers interested in purchasing Glastender Home products may contact the factory via telephone at 800-748-0423 or 989-752-4275, via fax at 989-752-4444, or via e-mail at [orders@glastender.com](mailto:orders@glastender.com).

## **PRICES:**

All prices are Retail/MAP. Applicable taxes will be added. Prices are subject to change without notice. Prices do not include shipping and handling charges.

## **QUOTATIONS:**

Unless otherwise stated, quotations are effective for 30 days only.

## **ACCEPTANCE:**

All orders are subject to acceptance by Glastender, Inc.'s headquarters in Saginaw, Michigan.

## **SHIPMENTS:**

F.O.B. factory in Saginaw, Michigan. Freight terms are Prepay and Add to Invoice. Collect, if shipped directly to you or Third Party freight terms are available upon request. The approximate shipping weights for standard products are listed on the price list. Cocktail stations ship under freight class 150. Partial shipments will be made unless otherwise specified by the customer.

All small items are evaluated to see the most cost effective means for shipment. Many small items ship via UPS or FedEx; however, when dimensional weight is excessive, LTL carriers are the most cost effective choice.

The order department is happy to assist with routing or shipping questions.

## **PAYMENT TERMS:**

Cash should be included with all orders unless credit terms have been arranged. To establish credit, banking and trade references are required. A convenient credit application is available upon request. Payment via credit card is not our normal means of receiving payment. Visa and MasterCard will be accepted, but must be charged at the time of shipment. In addition, a payment via credit card for orders totaling more than \$500 will incur a 3% convenience fee on the total transaction amount.

## **CHANGES OR CANCELLATIONS:**

Changes or cancellations by the buyer must be approved by the factory and may result in additional fees and/or a delay in shipment.

## **DELIVERY:**

The majority of equipment is manufactured to order and typically ships within three to six weeks after complete order information is received by the factory. In-stock equipment typically ships within two to three days of the factory receiving complete order information.

## **RETURNS:**

Finished top cocktail stations and any other non-standard manufactured-to-order products are NOT returnable.

A Return Material Authorization (RMA) number must be issued by the factory in advance for any items that are returnable. The RMA number MUST be noted on the outside of the returned package. Returns must be received within 30 days of the RMA issue date. Shipping charges must be prepaid. A credit may be allowed pending examination of the returned goods. The amount of the re-stocking charge will depend on the condition of the goods. A minimum 20% restocking charge will be applied to all authorized returns if received in new, unused condition in the original packaging.

## **LOSS OR DAMAGE:**

For customer routed shipments, Glastender, Inc. is not responsible for any loss, damage, or delay of merchandise during shipment. Such transit claims must be filed with the carrier. Merchandise must be examined on arrival. If shortages occur, Glastender, Inc. must be notified in writing within five (5) days of delivery to honor any shortage claim. Glastender will assume responsibility for freight claims on Prepay and Add shipments but the customer must inspect the freight. If the customer receives any package that has been damaged or tampered with, a written note of the damage must be made to the freight carrier when signing for the receipt of the package. A verbal note to the driver is not sufficient. Notify the local office of the carrier and/or the shipping department at Glastender within 48 hours. Failure to follow the above instructions may result in losses at the customer's expense.

## **CUSTOM ORDERS:**

Finished top cocktail stations and any other non-standard manufactured-to-order product orders must be paid in advance and are not subject to cancellation.

## **Limited Warranty**

For one year from the date of purchase, when this product is operated and maintained according to the instructions attached to or furnished with the product, Glastender, Inc. will pay for Factory Specified Parts and repair labor to correct defects in materials and workmanship. Service must be authorized by the Factory in advance and must be performed by a Glastender, Inc. designated service company. This limited warranty is valid only in the United States and Canada and applies only when the product is used in the country in which it was purchased. Outside the 50 United States and Canada, this limited warranty does not apply. Proof of the original purchase date is required to obtain service under this limited warranty.

## **Items Excluded from Warranty**

**This limited warranty does not cover:**

1. Service calls to correct the installation of your product, to instruct you how to use your product, or to correct house wiring or plumbing.
2. Cosmetic damage, including scratches, dents, chips or other damage to the finish of your product, unless such damage results from defects in materials or workmanship and is reported to Glastender, Inc. within 30 days from the date of purchase.
3. Repairs when your product is used for other than normal, single-family household use or when it is used in a manner that is contrary to published user or operator instructions and/or installation instructions.
4. Damage resulting from accident, alteration, misuse, abuse, fire, flood, acts of God, improper installation, installation not in accordance with electrical or plumbing codes, or use of consumables or cleaning products not approved by Glastender, Inc.
5. Cost associated with the removal from your home of your product for repairs. This product is designed to be repaired in your home and only in-home service is covered by this warranty.

6. Repairs to parts or systems resulting from unauthorized modifications made to the product.
7. Expenses for travel and transportation for product service if your product is located in a remote area where service by an authorized Glastender, Inc. service agent is not available.
8. The removal and reinstallation of your product if it is installed in an inaccessible location or is not installed in accordance with published installation instructions.
9. Damage resulting from normal wear and tear of your product.
10. Products with original model and serial numbers that have been removed, altered or cannot be easily determined. This warranty is void if the factory applied serial number has been altered or removed from your product.

The cost of repair or replacement under these excluded circumstances shall be borne by the customer.

## **DISCLAIMER OF IMPLIED WARRANTIES: LIMITATION OF REMEDIES**

CUSTOMER'S SOLE AND EXCLUSIVE REMEDY UNDER THIS LIMITED WARRANTY SHALL BE PRODUCT REPAIR AS PROVIDED HEREIN. IMPLIED WARRANTIES, INCLUDING WARRANTIES OF MERCHANTABILITY OR FITNESS FOR A PARTICULAR PURPOSE, ARE LIMITED TO ONE YEAR OR THE SHORTEST PERIOD ALLOWED BY LAW. GLASTENDER SHALL NOT BE LIABLE FOR INCIDENTAL OR CONSEQUENTIAL DAMAGES. SOME STATES AND PROVINCES DO NOT ALLOW THE EXCLUSION OR LIMITATION OF MERCHANTABILITY OR FITNESS, SO THESE EXCLUSIONS OR LIMITATIONS MAY NOT APPLY TO YOU. THIS WARRANTY GIVES YOU SPECIAL LEGAL RIGHTS AND YOU MAY ALSO HAVE OTHER RIGHTS WHICH VARY FROM STATE TO STATE OR PROVINCE TO PROVINCE.



## Glastender, Inc.

5400 North Michigan • Saginaw, MI 48604-9780  
989.752.4275 • 800.748.0423 • Fax 989.752.4444  
[www.glastenderhome.com](http://www.glastenderhome.com)

