



Intertek
4004503

Conforms to NSF/ANSI STD 2
Certified to CSA STD B45.4



DCS42
with optional faucet

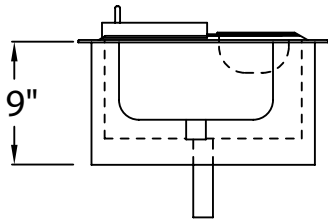
To view cleaning and care instructions, please visit: http://www.glastender.com/PDF/F-423-011_ss_clean_care.pdf

Drop-In Cocktail Stations

Models: DCS30, DCS42

Standard Features	Specifications																											
<ul style="list-style-type: none"> • Weather resistant stainless steel construction with galvanized steel exterior wrap on ice bin below work surface. • Unique hemmed edge for added strength and visual appeal. • Includes mounting brackets for a gap-free installation. • Includes a main ice bin with sliding stainless steel cover, three condiment cups, bottle well for iced bottle storage, and sink. Hot and cold water faucet is optional. • Condiment area includes hinged stainless steel sanitary cover. • DCS42 model includes a seamlessly welded drainboard glass storage area consisting of a stamped pan and perforated insert providing air circulation for drying glassware. • Insulated bottle well storage for chilling juices, mixes, or wine is separate from the cocktail ice bin liner, preventing contamination of the ice used to make your cocktails. • The easy to clean sink is stainless steel and seamlessly welded into the work surface. Drain fitting is included. • Foamed-in-place insulation and an ABS plastic breaker strip around the ice bin liners prevent thermal transfer from outside the ice bin so that your ice lasts longer. • Custom configurations available upon request. 	<p>Dimensions:</p> <table border="1"> <thead> <tr> <th></th> <th>DCS30</th> <th>DCS42</th> </tr> </thead> <tbody> <tr> <td>Height*:</td> <td>9"</td> <td>9"</td> </tr> <tr> <td colspan="3"><i>*NOTE: Does not include ice bin cover or faucet.</i></td> </tr> <tr> <td>Width:</td> <td>30"</td> <td>42"</td> </tr> <tr> <td>Depth:</td> <td>19"</td> <td>19"</td> </tr> <tr> <td>Shipping weight:</td> <td>75#</td> <td>85#</td> </tr> </tbody> </table> <p>Cutout Dimensions:</p> <table border="1"> <thead> <tr> <th></th> <th>DCS30</th> <th>DCS42</th> </tr> </thead> <tbody> <tr> <td>Width:</td> <td>28-1/2"</td> <td>40-1/2"</td> </tr> <tr> <td>Depth:</td> <td>17-1/2"</td> <td>17-1/2"</td> </tr> </tbody> </table> <p>Drains:</p> <ul style="list-style-type: none"> • Sink – 1-1/2" I.P.S. threaded drain fitting • Ice bin – 1-1/2" tailpiece • Bottle well – 1-1/2" tailpiece • Glass storage area – no drain or optional 1-1/2" I.P.S. threaded drain fitting - specify if required when ordering. <p>NOTE: Provide suitable drain systems in accordance with local codes for all drains. The drains must be accessible.</p> <p>Sink Bowl Dimensions: 9-1/4" by 11-1/2" by 6" deep</p> <p>Faucet (optional): Holes for mounting a faucet are provided. Two holes on 4" centers is standard. If an alternate pattern is required, please specify when ordering.</p> <p>An optional hot and cold water faucet is available as an accessory. Specify part number 03000457 when ordering.</p> <p>NOTE: Use a certified plumber to connect and install potable water supply and drain system to the drop-in cocktail station in accordance with local code requirements.</p>		DCS30	DCS42	Height*:	9"	9"	<i>*NOTE: Does not include ice bin cover or faucet.</i>			Width:	30"	42"	Depth:	19"	19"	Shipping weight:	75#	85#		DCS30	DCS42	Width:	28-1/2"	40-1/2"	Depth:	17-1/2"	17-1/2"
	DCS30	DCS42																										
Height*:	9"	9"																										
<i>*NOTE: Does not include ice bin cover or faucet.</i>																												
Width:	30"	42"																										
Depth:	19"	19"																										
Shipping weight:	75#	85#																										
	DCS30	DCS42																										
Width:	28-1/2"	40-1/2"																										
Depth:	17-1/2"	17-1/2"																										
<p align="center">Glastender, Inc. 5400 North Michigan Road • Saginaw, MI • 48604-9780 989.752.4275 • 800.748.0423 • Fax 989.752.4444 www.glastenderhome.com</p>	<p align="center">Specifications subject to change without notice. For current specifications please visit our website.</p>																											

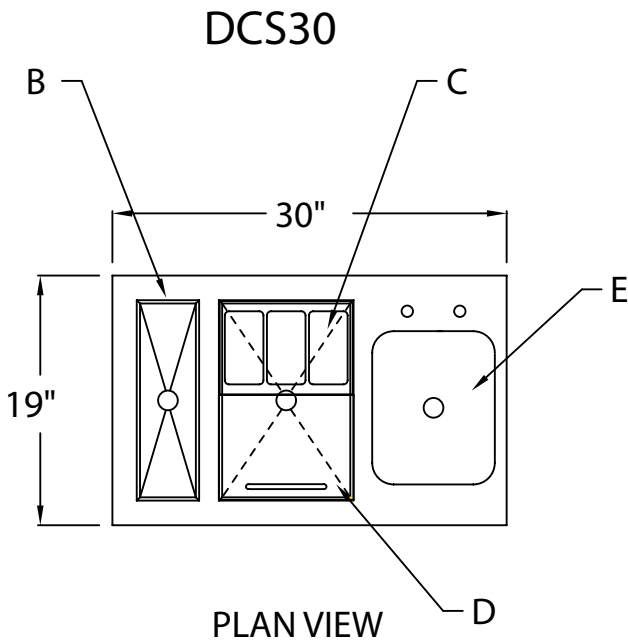
DROP-IN COCKTAIL STATIONS



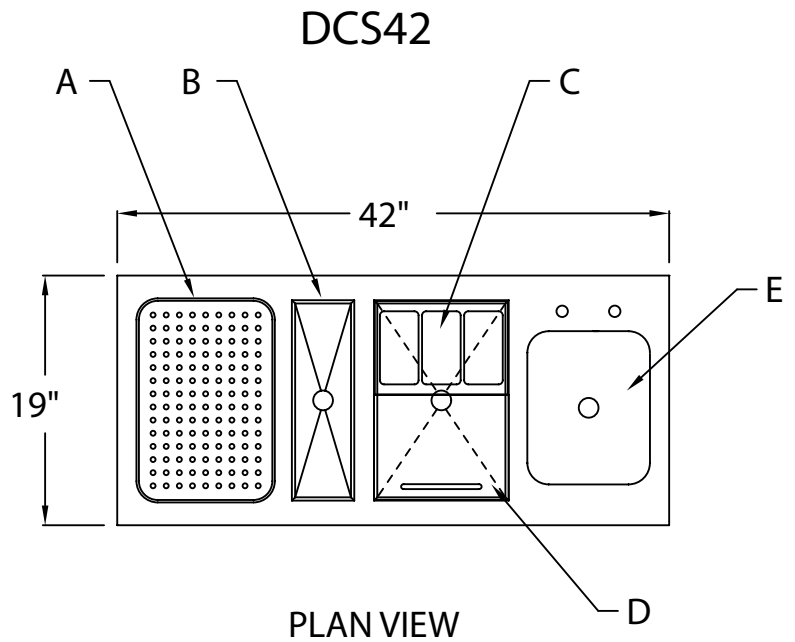
RIGHT SIDE ELEVATION

- A - Drainboard Glass storage area
- B - Insulated bottle well
- C - Condiment cups
- D - Cocktail Ice bin with sliding cover
- E - Stainless steel sink

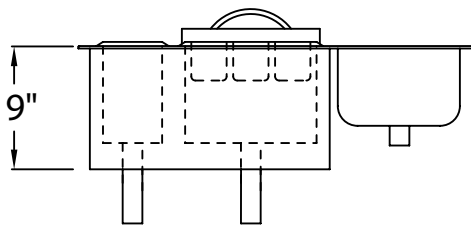
Note: Faucet is optional. Specify if required when ordering.



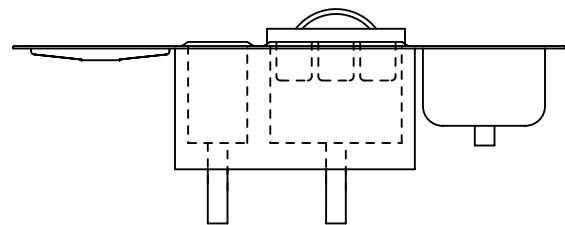
PLAN VIEW



PLAN VIEW



FRONT ELEVATION



FRONT ELEVATION